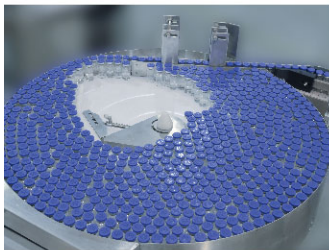
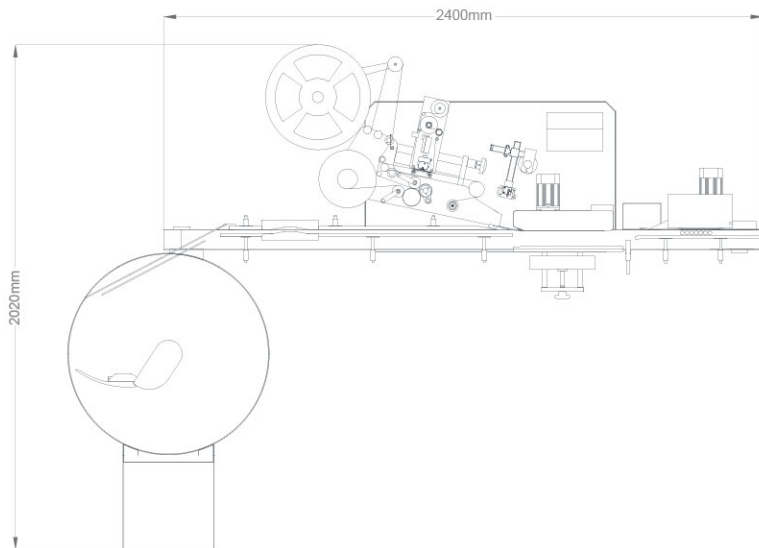
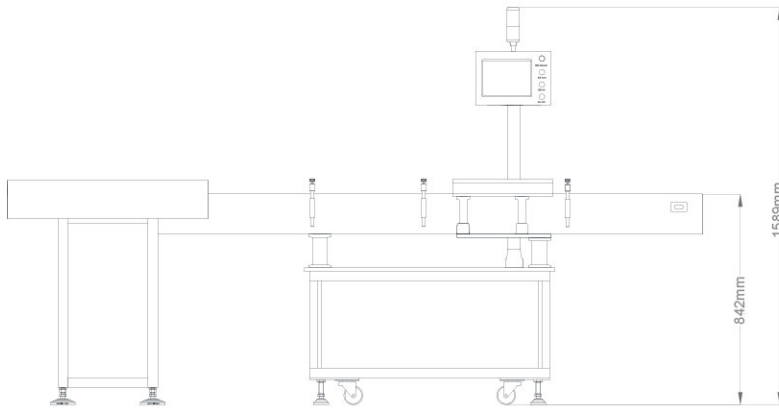


Colamark



Colamark A101P Vertical Wrap-around Labeling System for Pharma

A simple wrap-around labeling system specifically designed for the need of the pharmaceutical industry for labeling on small vials. Optional inspection and rejection devices for missing or wrong code, missing labels to ensure output quality. Capacity up to 350ppm.



Features

- Optional feeding turn-table to allow smooth and stable material feeding and collection.
- Fallen bottle diversion mechanism to avoid system jamming by possible fallen bottles, ensuring smooth and uninterrupted operation.
- Bottle separation by rotating wheel allows flexibility and stability. Optional timing screw for bottle separation if extra separation consistence is necessary.
- Coding devices for synchronized printing: High speed hot-stamping coder, continuous ink jet printer, thermal ink jet printer, laser printer, and thermal transfer printer are available for your choice.
- Inspection function: Optional inspection and rejection devices for missing label, missing code, or wrong code are available for your choice.
- Touch control HMI: User friendly and easy-to-use, also providing comprehensive help menu and diagnosis support.

Model	A101P
Bottle Size	2-20ml. vials (dia. 15-30mm)
Capacity	350 ppm (depending on size of material)
Precision	±1.0mm (depending on size of material)
Compressed air	0.4-0.6 Mpa (for rejection and coding devices)
Environment	Temperature 4-30°C Humidity 15-90% (non-condensing)
Power Consumption	220VAC 50HZ 1.5kW
Machine dimensions	(L)2,400mm×(W)2,020mm×(H)1,589 mm

(Custom engineered solutions are available to cater for customer's special needs.)

For continuous improvement on design and product innovations, all specification data are subject to change without prior notice

Colamark (Guangzhou) Labeling Equipment Limited

19 Jin Xiu Road, GETDD, Guangzhou, China

Tel: +86 20 8221 6718 Fax: +86 20 8221 5799 PC:510730

Colamark Technologies Limited

820 Topsail Plaza, 11 On Sum Street, Shatin, Hong Kong
Tel: +852 2634 8011 Fax: +852 8161 3311 Email: info@colamark.com Web: www.colamark.com

| Hong Kong | Guangzhou | Shanghai | Beijing | Shenyang | Qingdao | Wuhan | Chengdu | Kunming |